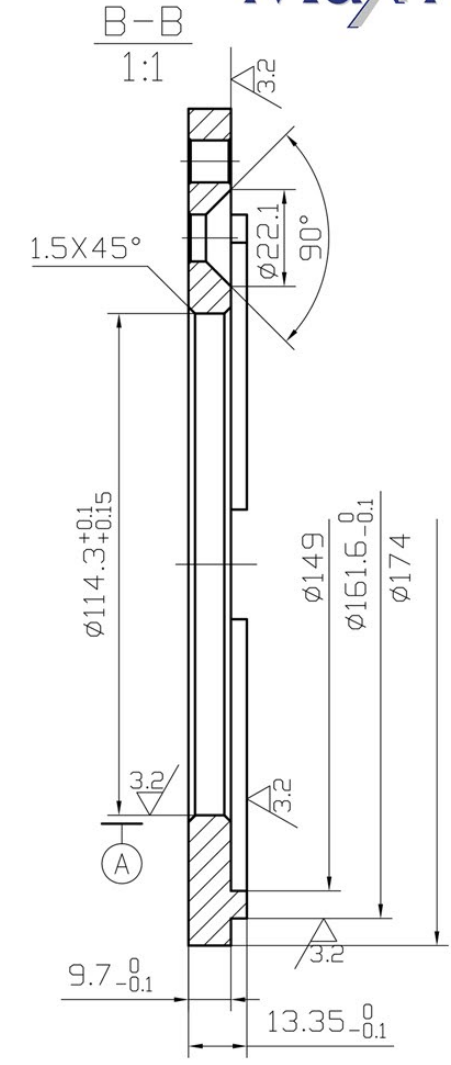
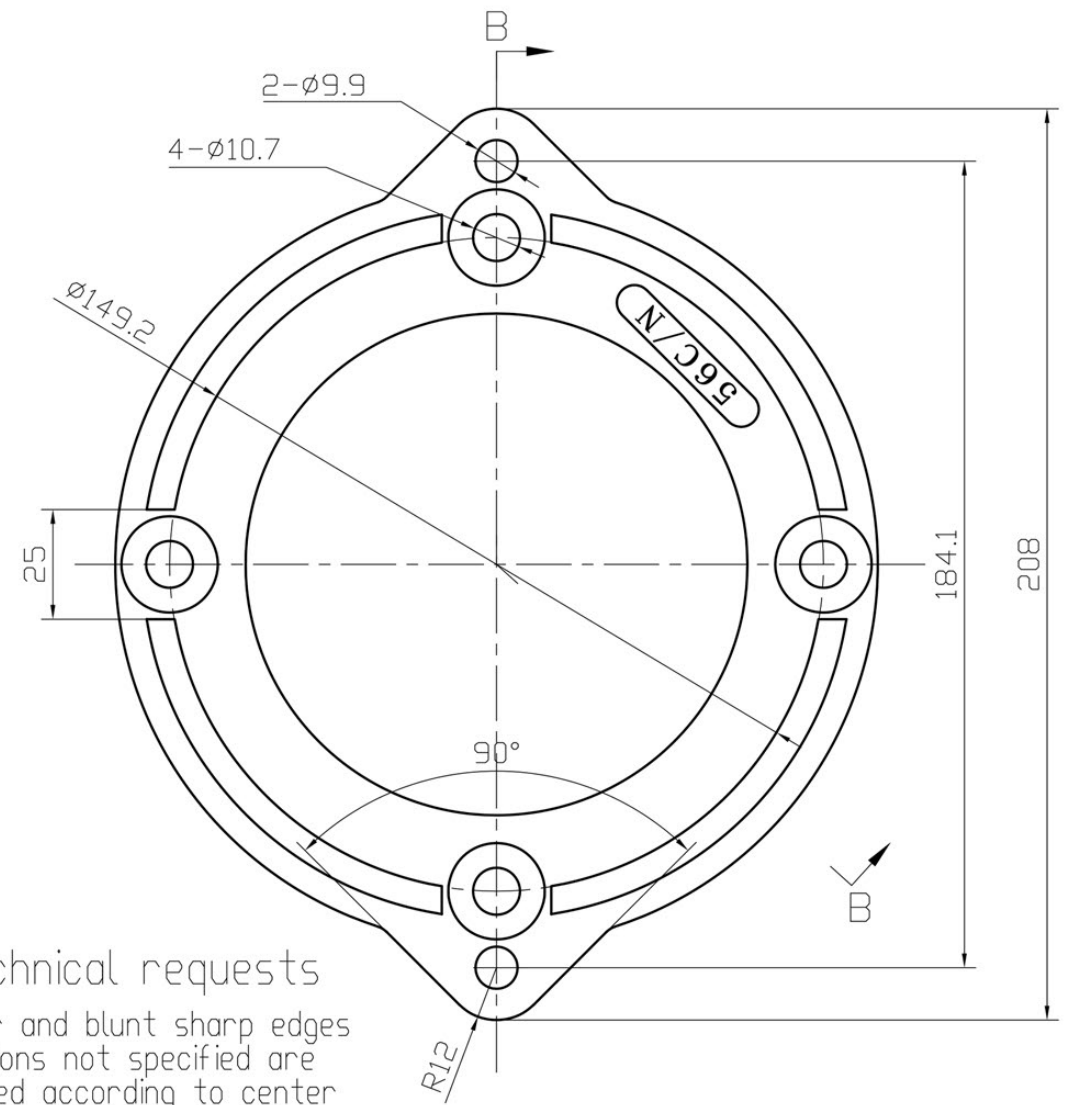
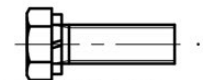
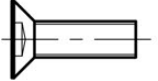


MTR-344FDCH

Version:2HUA	Revised: July 2020	HP	RPM	FRAME	ENCLOSURE
Customer is responsible in determining that MaxMotion product will fit/perform suitably in the intended application		3/4	1800	56C	TEFC



technical requests
 deburr and blunt sharp edges
 dimensions not specified are
 machined according to center
 symmetry

<h2>ITEM #: 56C/N</h2>	 5/16-18UNCx1-1/4 With Spring Washer Galvanized 2 PCS	 3/8-16UNCx1 Blackening 4 PCS
------------------------	---	---